

Trailer Scissor Lift

UpRight
POWERED ACCESS



- Working height up to 9.0m
- Auto-levelling outriggers with load limiting device
- 2 person lift capacity
- Roll-out deck extension

XT24AL

XT24AL trailer scissor lift specifications

	XT24AL
max. working height	9.0m
max. platform height A	7.0m
platform capacity (SWL)	227kg
outrigger footprint	2.0m x 1.75m
guardrail height B	1.10m
platform size (deck extended)	1.2m x 2.43m
deck extension C	0.81m
stowed height D	2.26m
towing width E	1.54m
towing length F	3.22m
gross weight	1160kg
control system	Electric Push Button
power source	24v DC Deep Cycle Battery

Specifications subject to change without notice. Photos and diagrams in this brochure are for promotional purposes only. Refer to appropriate UpRight Operators manual for detailed instructions on the proper use and maintenance.



Quick and easy to set up - outriggers pull out and lock into place. One button to autolevel the machine ready for use.



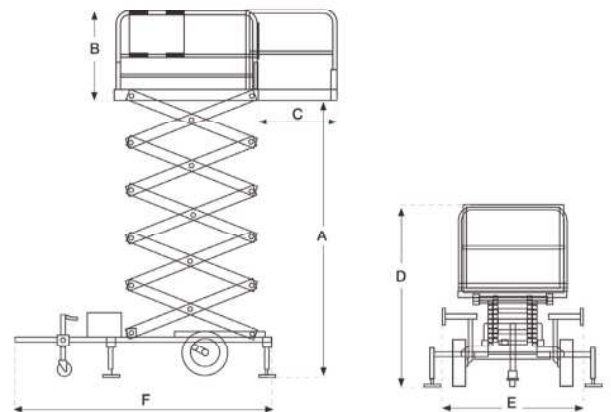
BP2.XT24AL 9/08

standard features

- Auto-levelling outriggers with load limiting device
- On board battery charger
- Removable guardrails
- Tilt alarm
- Non-slip platform and extension deck
- Two person platform
- Overload alarm
- 1 year parts and labour warranty

options

- Tool tray
- Power to platform
- Spare tyre
- Narrow jacking option with reduced working height



UpRight
POWERED ACCESS

Vigo Centre, Birtley Road, Washington,
Tyne & Wear, NE38 9DA, U.K.

Sales Tel: +44 (0) 845 1550 057 • Spare Parts Tel: +44 (0) 845 1550 058

www.upright.com



This product is available with the CE mark confirming compliance with all relevant European Machinery Directives

manufactured by
UpRight
POWERED ACCESS