

SERVICE BULLETIN

Machines/Models: X-Series
Work Platforms

Serial Nos.: 1040,
1046-1051, 1054, 1057, 1059,
1062, 1063, 1068, 1069, 1071

SERVICE BULLETIN: 94.3, THE INSTALLATION OF THIS KIT IS MANDATORY!

DATE: March 10, 1994

PURPOSE: Notification of requirement to replace Brake Cylinder Rod mounting pin with a shoulder bolt and instructions for replacement. This will greatly increase the strength of the brake system.

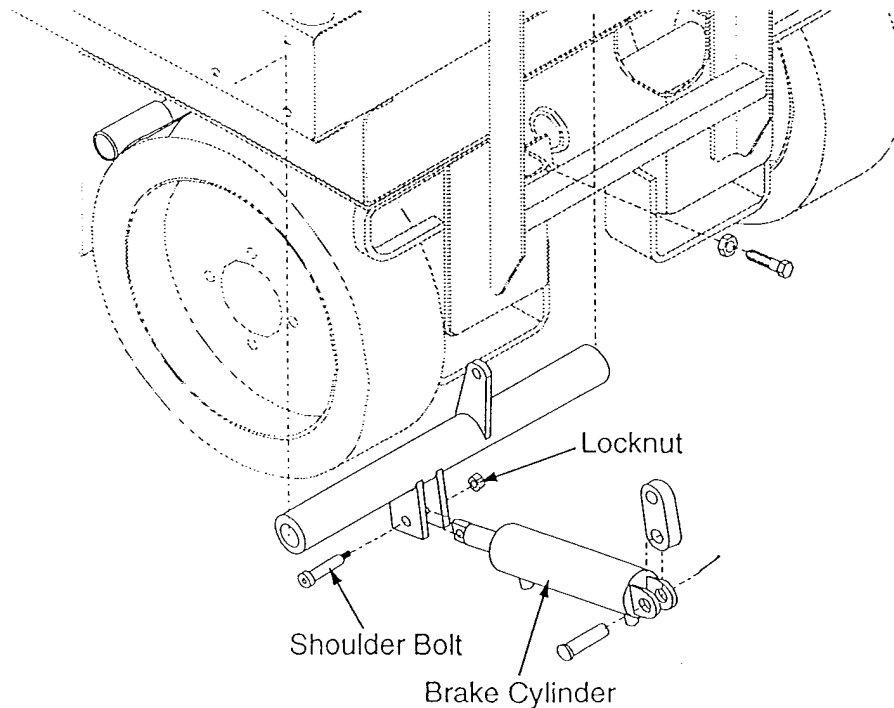
OPERATION REQUIRED: Installation of shoulder bolt and locknut.

PARTS REQUIRED: 63559-006, Shoulder Bolt; 11246-005, Locknut.

REIMBURSEMENT: Installation will take less than one-half hour. UpRight will reimburse you for up to one-half hour of installation time at your shop rate. UpRight will also reimburse the owner of each unit for reasonable travel time at the rate of USD \$25.00 per hour. Reimbursement will be made upon receipt by UpRight of a properly completed warranty claim.

PROCEDURE:

1. Remove existing cotter pin and pin and discard.
2. Install Shoulder Bolt and Locknut as shown.
3. Torque to 190 In/Lbs.
4. Check Brakes for proper operation.



If you have any questions regarding this Service Bulletin, please contact the UpRight Product Support Department at (800) 926-5438, in the USA; (209) 896-5150, outside the USA; or by FAX at (209) 896-9244