

SERVICE BULLETIN

Machines/Models: X Series
Work Platforms

Serial Nos.: 1017-1028, 1030,
1032, 1033, 1037-1042, 1044,
1046-1057, 1059, 1062, 1063, 1068,
1069, 1071, 1082, 1085, 1086,
1090-1094, 1097, 1098

SERVICE BULLETIN: 94.6, THE INSTALLATION OF THIS LABEL IS MANDATORY!

DATE: March 21, 1994

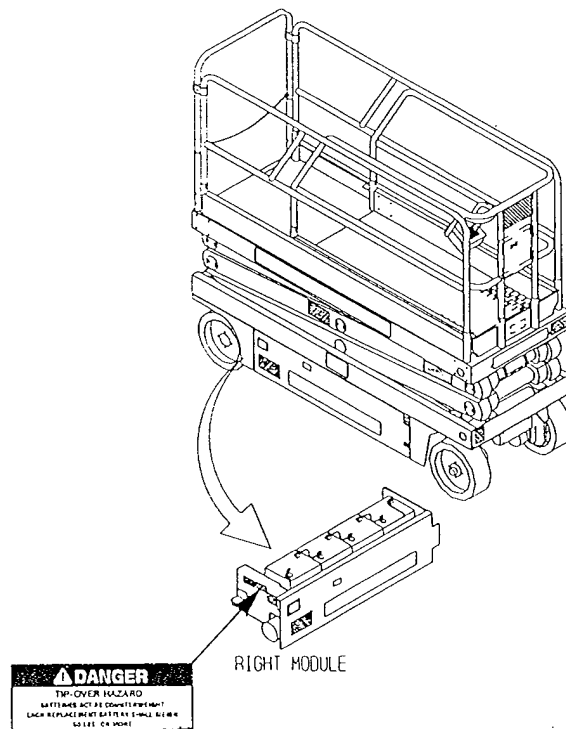
PURPOSE: Notification of requirement to install label.

OPERATION REQUIRED: Installation of one label.

PARTS REQUIRED: 62562-001.

REIMBURSEMENT: One label is being sent free of charge to the owner of record of each work platform to which this service bulletin is applicable. Installation of the label will take less than one-quarter hour. UpRight will reimburse the owner of each unit for up to one-quarter hour of installation time at the prevailing shop rate in the owner's shop. UpRight will also reimburse the owner of each unit for reasonable travel time at the rate of USD \$25.00 per hour. Reimbursement will be made upon receipt by UpRight of a properly completed warranty claim.

PROCEDURE: Install label as shown in the following illustration.



If you have any questions regarding this Service Bulletin, please contact the UpRight Product Support Department at (800) 926-5438, in the USA; (209) 896-5150, outside the USA; or by FAX at (209) 896-9244