

PRODUCT ENHANCEMENT

Machines/Models: LX 31/41
Work Platforms

Serial Nos.: 1000-1136

SERVICE BULLETIN: 96.2 The installation of this kit is recommended. This kit should be installed at the next regular service interval.

DATE: July 1, 1996

PURPOSE: Add larger hydraulic tank hold down tab to prevent tank movement inside the power module.

OPERATION REQUIRED: Installation of Mounting Tab Kit.

PARTS REQUIRED: 30807-000 Mounting Tab Kit.

Kit Includes: (Refer to Figure 1)

Item	Description	Qty.
1	Mounting Tab	1
2	Bolts 3/8-16 x 1"	2
3	Nuts 3/8-16	2
4	Washers	4

REIMBURSEMENT: One kit is being sent, free of charge, to the owner of record of each scissor lift to which this service bulletin is applicable.

PROCEDURE:

1. Read all instructions and refer to Figure 1 before starting.
2. Remove existing mounting tab and discard, retaining hardware.
3. Install new hydraulic tank hold down tab in place of existing tab. Use existing mounting holes and hardware.
4. Line drill two 13/32" holes through the module pan using the hold down tab as a guide. Install bolts, washers, and nuts; tighten securely.

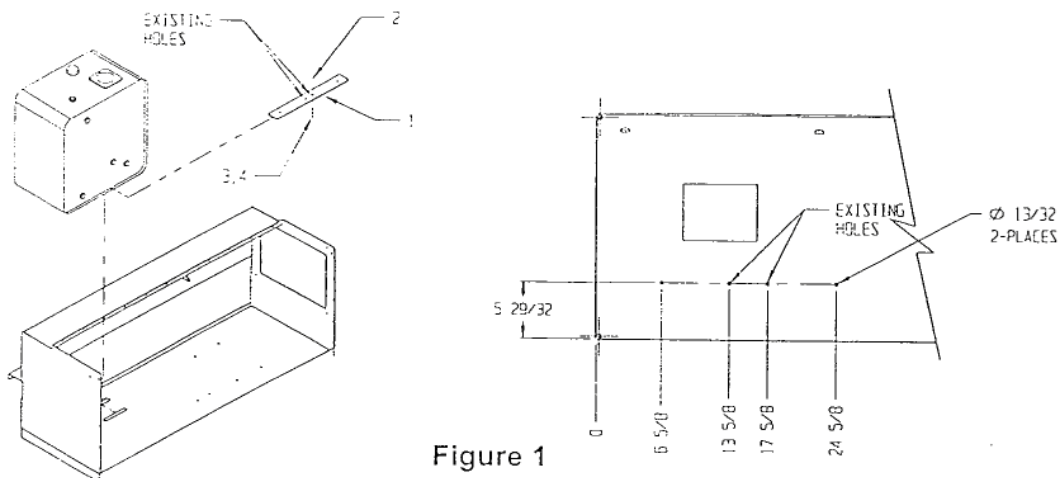


Figure 1

If you have any questions regarding this Service Bulletin, please contact the UpRight Product Support Department at (800) 926-5438, in the USA; (209) 891-5200, outside the USA; or by FAX at (209) 896-9244.