

# SERVICE BULLETIN

Machines/Models: MX15  
MX19

SB97.3

Serial Nos.: See Below

**THIS BULLETIN IS MANDATORY.**

**DATE:** June 9, 1997

**PURPOSE:** Add a diode to the electrical circuit to protect the down alarm from voltage spikes.

**OPERATION REQUIRED:** Add diode per instructions below. This operation is to be completed at the next regular service interval.

**PARTS REQUIRED:**

1. 1 ea. 029825-002 Diode
2. 2 ea. 029610-002 Fork Terminal

**REIMBURSEMENT:** Addition of diode will take less than 1/2 hour. UpRight will reimburse the owner of record for up to 1/2 hour of labor at \$30.00 per hour. Reimbursement will be made upon receipt by UpRight of your completed warranty claim form.

**PROCEDURE:** Read all instructions thoroughly and refer to figure 1 before starting.

1. Disconnect the negative battery terminal from the battery.
2. Remove the two mounting screws from the solenoid (#7), and lay it aside leaving the wires attached.
3. Remove the six screws from the electrical box cover (#5) and remove the cover.
4. Crimp the fork terminals (#2) to the ends of the diode (#1) and form the leads to fit 3/4 inch spacing (on center).
5. Install the diode to terminals seven (7) and nine (9) on the terminal strip (#4) per figure 1. Insure that the diode is installed with the stripe toward terminal seven (7). Terminals are numbered from right to left as you face the terminal strip (#4).
6. Replace the electrical box cover (#5) and screws.
7. Replace the solenoid (#7) and mounting screws.
8. Replace the negative battery cable.
9. Test all functions of the machine.

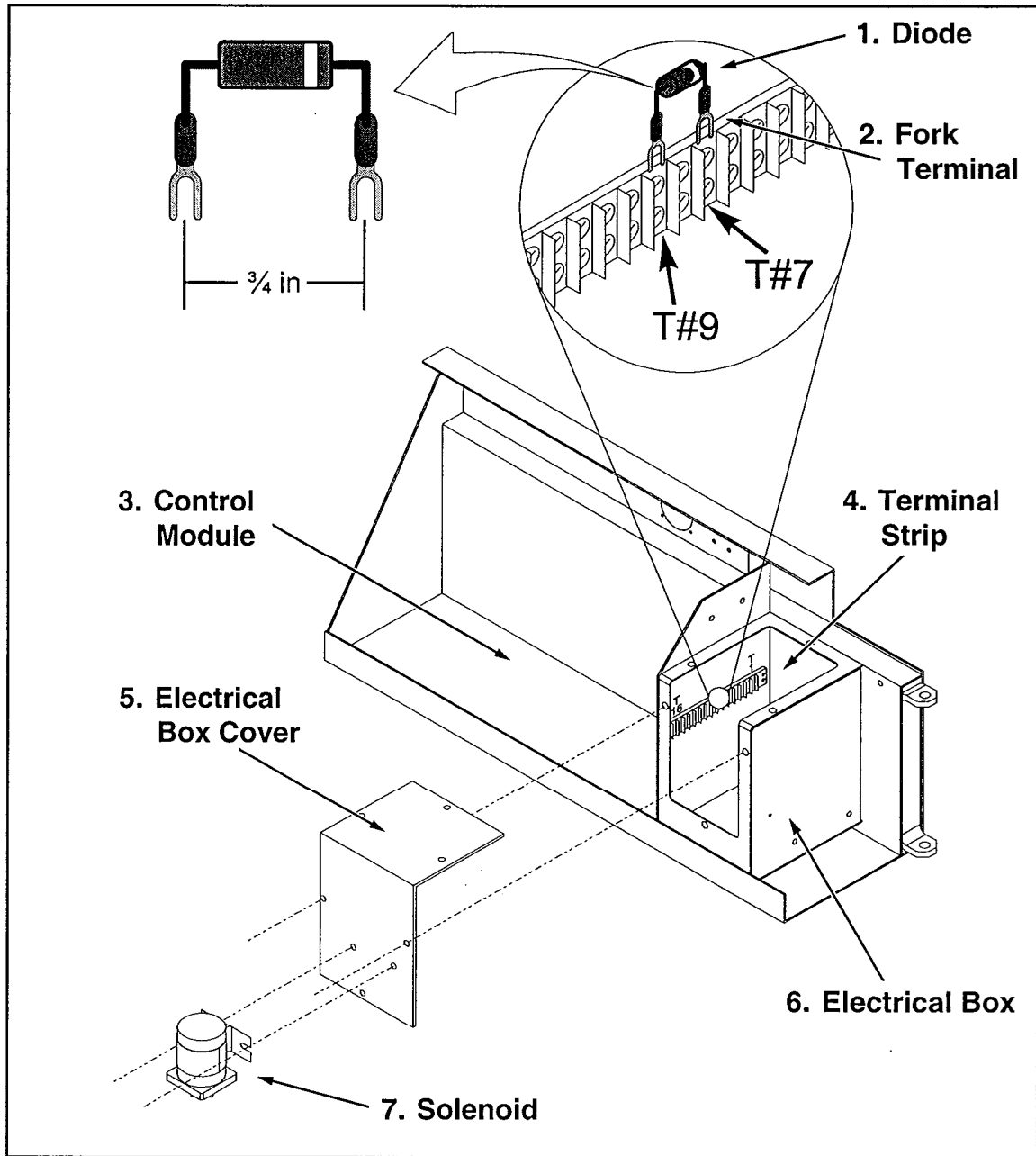
**Serial Numbers:** 6206-6353, 6358, 6360-6459, 6464-6530, 6532-6536, 6538

If you have any questions regarding this Service Bulletin, please contact the UpRight Product Support Department by telephone at (800) 926-5438 from within the USA or at (209) 891-5200 outside the USA or by FAX at (209) 896-9244.

# SERVICE BULLETIN

Machines/Models: MX15  
MX19

SB97.3  
Serial Nos.: See Page 1



*Figure 1*

If you have any questions regarding this Service Bulletin, please contact the UpRight Product Support Department by telephone at (800) 926-5438 from within the USA or at (209) 891-5200 outside the USA or by FAX at (209) 896-9244.