

SERVICE BULLETIN SB98.16

Machines/Models: SB60

Serial Numbers: 1000-1197

THIS BULLETIN IS MANDATORY.

DATE: October 1, 1998

PURPOSE: To assure proper propane supply to engine.

OPERATION REQUIRED: Inspect location of propane tank mounting pin and reposition if necessary.

REIMBURSEMENT: UpRight will reimburse the owner of record for up to 1/2 hour labor at \$35.00 per hour. Reimbursement will be made upon receipt by UpRight of your completed warranty claim form. Please reference SB98.16 on your warranty claim form.

PROCEDURE: Read all instructions thoroughly and refer to figure 1 and 2 before starting.

1. Inspect tank mount for location of tank mounting pin. If mounting pin is in correct position as shown in figure 1, no modification is required. If tank mounting pin is not in the location shown in figure 1, proceed with instructions.
2. Turn off propane tank supply valve.
3. Disconnect propane hose.
4. Remove propane tank from mount.
5. Drill two "F" holes in bottom of mount as shown in diagram in figure 2.
6. Tap holes to 5/16-24.
7. Remove location pin and bracket from incorrect position.
8. Install location pin and bracket at new location using existing screws and lock washers in newly tapped holes.
9. Install propane tank into mounts.
10. Attach propane hose to tank.
11. Open propane tank supply valve.
12. Start engine and check engine performance when operating on propane.

If you have any questions regarding this Service Bulletin, please contact the UpRight Product Support Department by telephone at (800) 926-5438 from within the USA or at (209) 891-5200 outside the USA or by FAX at (209) 896-9244.

SERVICE BULLETIN SB98.16

Machines/Models: SB60

Serial Numbers: 1000-1197

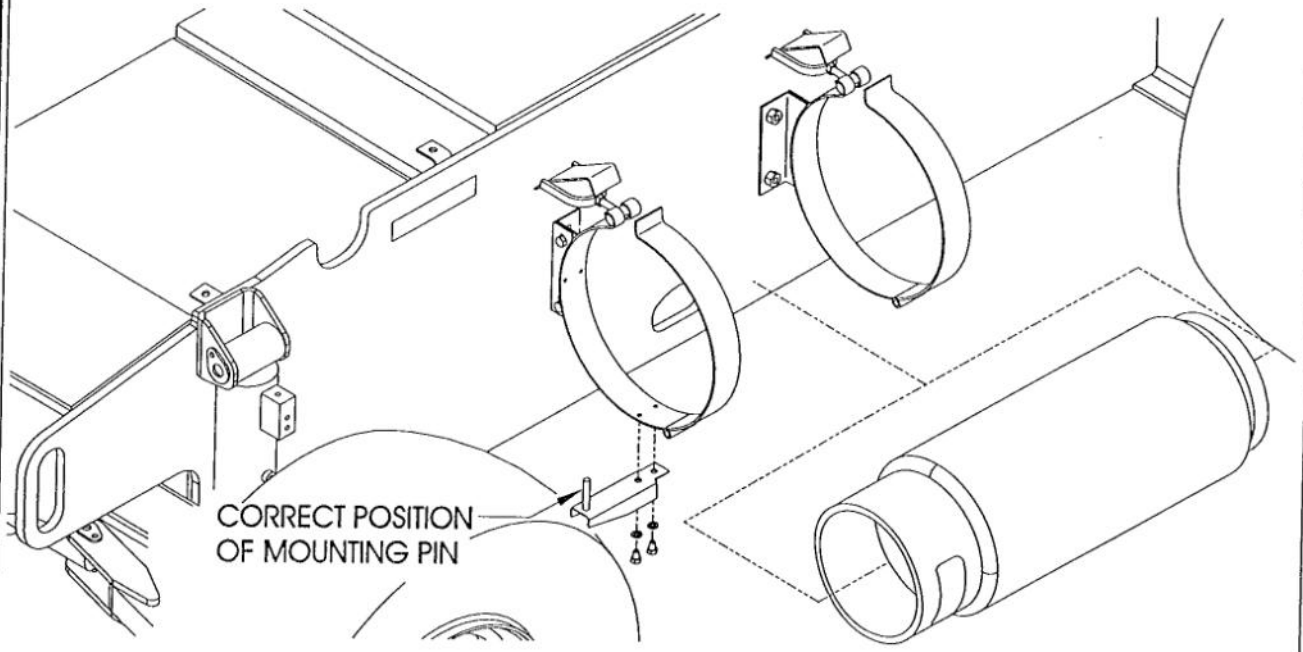


Figure 1

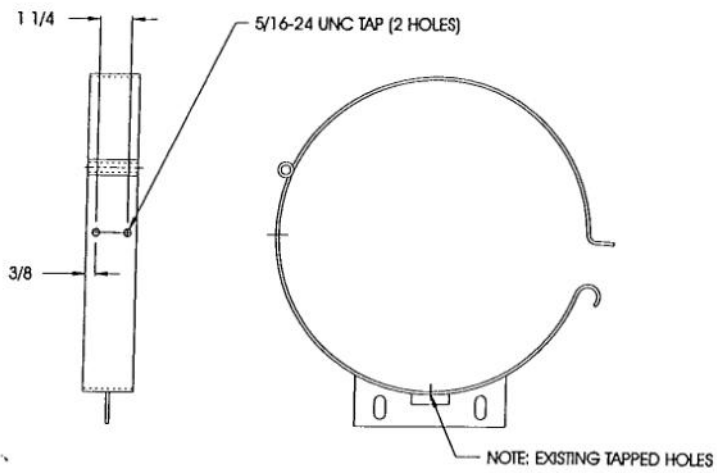


Figure 2

If you have any questions regarding this Service Bulletin, please contact the UpRight Product Support Department by telephone at (800) 926-5438 from within the USA or at (209) 891-5200 outside the USA or by FAX at (209) 896-9244.