

SERVICE BULLETIN SB99.10A

Machines/Models: SL20
24 Volt Joystick - Proportional

Serial Numbers:
8557-9002

THIS BULLETIN IS A SERVICE ADVISORY TO BE CARRIED OUT AT THE NEXT SERVICE INTERVAL.

DATE: June 15, 1999

PURPOSE: To enhance the performance of the electrical circuitry.

OPERATION REQUIRED: Replace existing Controller (#101129-013) and add one .33 OHM Resistor Pack (Black, #101129-021), and one 1 OHM Resistor Pack (Yellow, #101129-020).

PARTS REQUIRED: 24 Volt Joystick Controlled Controller Kit includes the following:

1. 1 ea. #101129-013 24 Volt Joystick Controller
2. 1 ea. #101129-021 .33 OHM Resistor Pack (Black)
3. 1 ea. #101129-020 1 OHM Resistor Pack (Yellow)
4. 2 ea. #013283-002 Cable Mount
5. 2 ea. 6" Tie Strap

REIMBURSEMENT: UpRight will reimburse the owner of record for 1 hour of labor at \$35.00 per hour and for travel (up to 100 miles). Reimbursement will be made upon receipt by UpRight of your completed warranty claim form. Please reference SB99.10A on your warranty claim form.

PROCEDURE: Read all instructions thoroughly and refer to Figures 1- 3 before starting.

1. Disconnect the battery pack by removing the battery cable from the negative (-) side of battery pack.
2. Remove all four Deutsch plugs from existing controller box.
3. Remove the two 10-24 screws and nuts securing the existing controller box and remove existing controller box.
4. Install the 1 OHM Resistor Pack (Yellow, #101129-020) and the .33 OHM Resistor Pack (Black, #101129-021) using the Cable Mounts (#013283-002) and 6" Tie wraps as shown in Figure 2.
5. Locate the Red/Yellow wire going from the C4 Lower Control Harness to the Motor Start Relay. Cut the Red/Yellow wire and install the 1 OHM Resistor Pack (Yellow, #101129-020) by Butt Connecting the Resistor Pack in line.
6. Locate Red wire at the E-stop coming from the C4 Lower Control Harness. Cut the Red wire and install the .33 OHM (Black, #101129-021) Resistor Pack by Butt Connecting the Resistor Pack in line.
7. Install the new 24 Volt Joystick Controller (#101129-013) securing it with the two remaining 10-24 screws and nuts.
8. Reinstall the four control Deutsch plugs to their original location.
9. Perform the Pre-Operation and Safety Inspection as instructed in the Operator Manual.

If you have any questions regarding this Service Bulletin, please contact the UpRight Product Support Department by telephone at (800) 926-5438 from within the USA or at (559) 891-5200 outside the USA or by FAX at (559) 896-9244.

SERVICE BULLETIN SB99.10A

Machines/Models: SL20
24 Volt Joystick - Proportional

Serial Numbers:
8557-9002

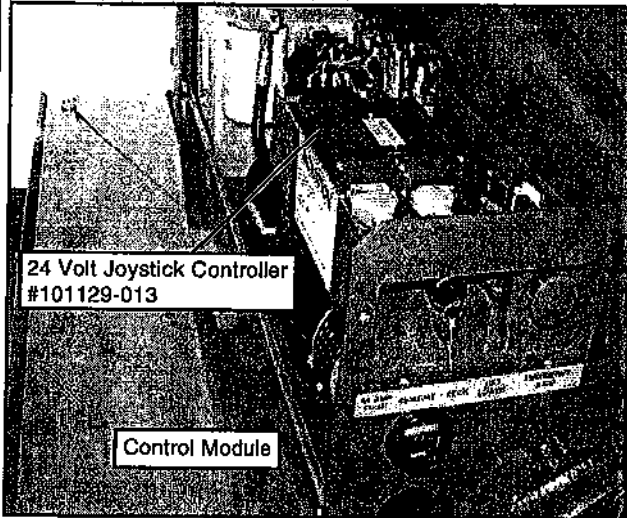


Figure 1

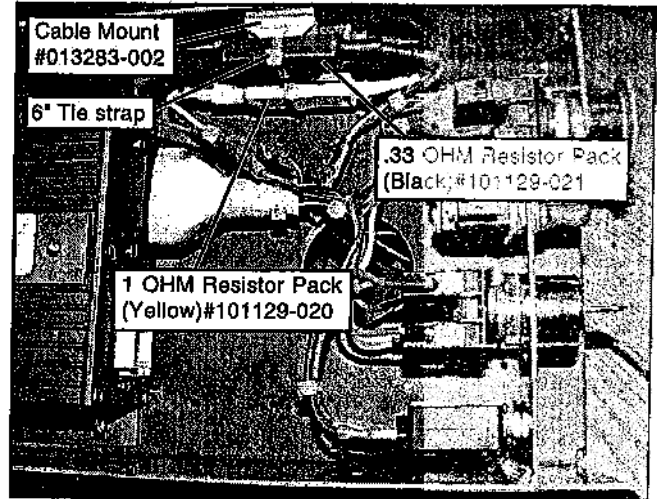


Figure 2

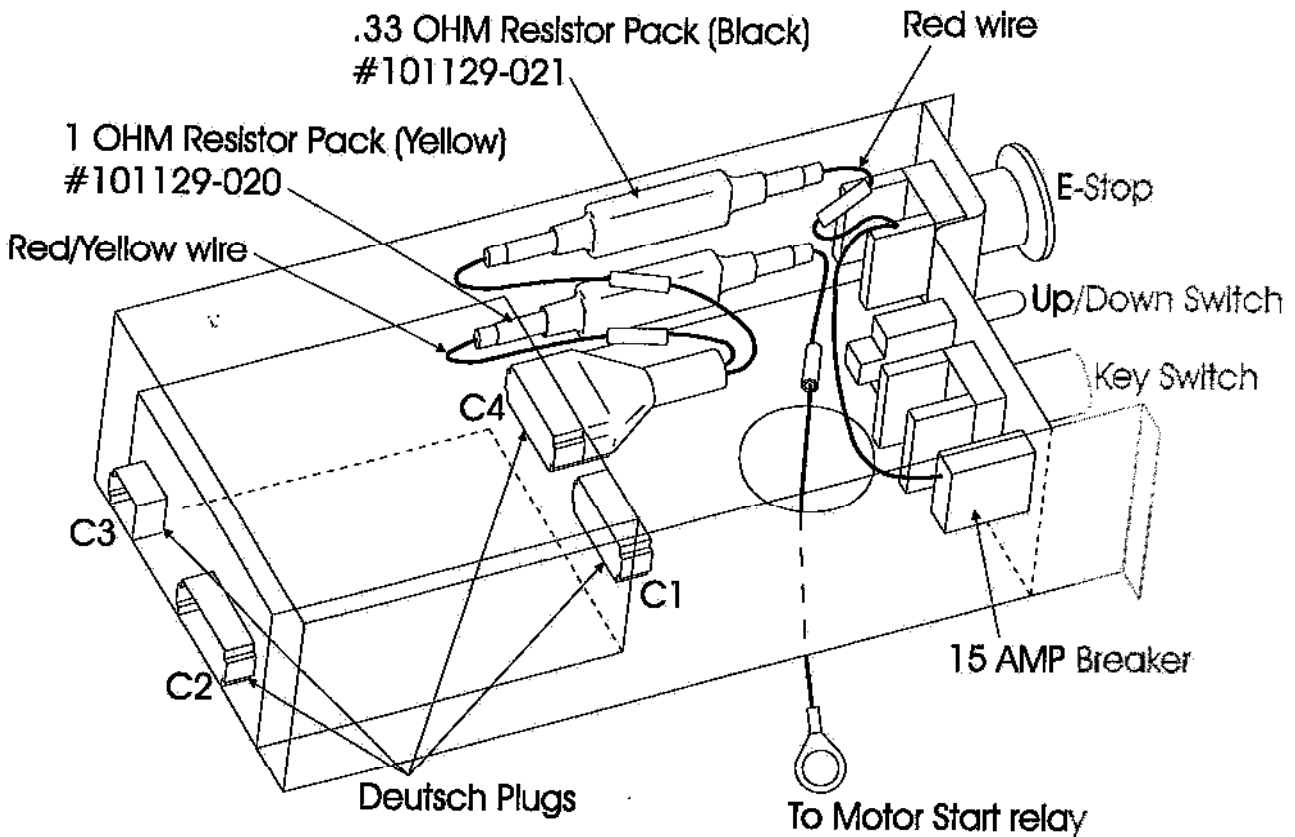


Figure 3