

**UpRight**  
Product Support

## SERVICE BULLETIN SB99.15

**Machines/Models:SB80****Serial Numbers: 1337-1339, 1342-1365,**

THIS BULLETIN IS A SERVICE ADVISORY TO BE CARRIED OUT AT THE NEXT SERVICE INTERVAL.

**DATE:** September 13, 1999

**PURPOSE:** Prevent binding of the boom hose and wiring carrier assembly.

**OPERATION REQUIRED:** Replace rear carrier guide.

**PARTS REQUIRED:** 1 ea. kit P.N. S.B. 99.15

**REIMBURSEMENT:** UpRight will reimburse the owner of record for 2 hours of labor at \$35.00 per hour. Reimbursement will be made upon receipt by UpRight of your completed warranty claim form. Please reference SB99.15 on your warranty claim form.

**PROCEDURE:** Read all instructions thoroughly and refer to figure 1 before starting.

1. Remove the carrier track cover.
2. Replace the carrier track rear guide per the following instructions and drawing.
3. Remove the Four screws that hold the rear carrier guide in place (retain hardware).
4. Remove the rear carrier guide.
5. Install the kit supplied carrier guide.
6. Install the carrier guide retaining screws that were removed in step 1.

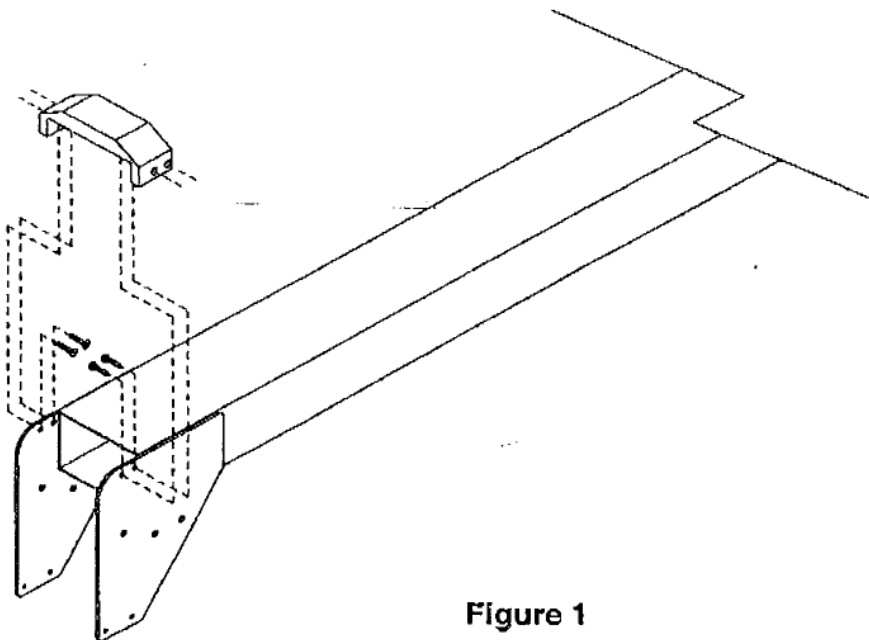


Figure 1

If you have any questions regarding this Service Bulletin, please contact the UpRight Product Support Department by telephone at (800) 926-5438 from within the USA or at (559) 891-5200 outside the USA or by FAX at (559) 891-8931.