

Product Enhancement

Machines/Models: All SL-14 Series
Work Platforms

Serial Nos.: 1000-1410

SERVICE BULLETIN: 94.1, THE INSTALLATION OF THIS KIT IS MANDATORY!

DATE: January 15, 1994

PURPOSE: To notify of a change adding a Valve Guard to the chassis. This Valve Guard will restrict access to the manual lowering valve. Access will be allowed only from the right hand side.

OPERATION REQUIRED: Install Valve Guard per drawing.

PARTS REQUIRED: 30684-000-00 Valve Guard Kit.

REIMBURSEMENT: Installation will take less than one hour. UpRight will reimburse you at your shop rate for up to one (1) hour installation time. UpRight will also reimburse you for reasonable travel time at the rate of USD \$25.00 per hour. Reimbursement will be made after receipt of your completed warranty claim.

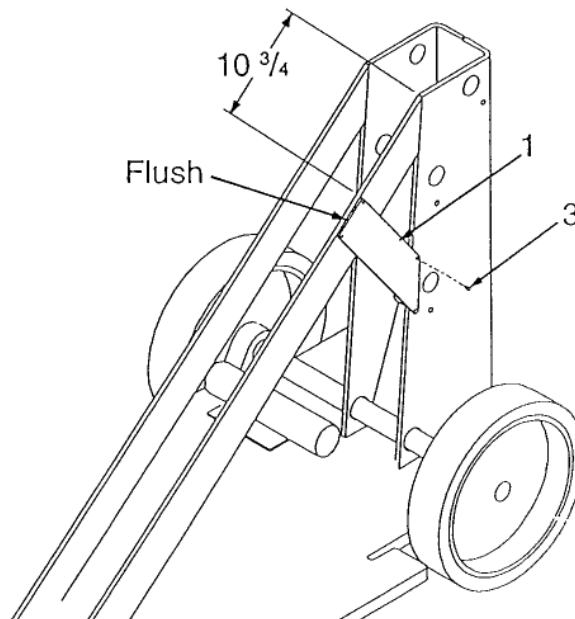
PROCEDURE:

1. Position Item 1 as shown (top flush to edge) and 10 ³/₄ inches from top of brace.

CAUTION

Use appropriate eye protection while performing the drilling operation.

2. Using Item 1 as a template, drill four (4) holes with .086 dia. drill provided.
3. Install Item 3, Drive Screw, 4-places.



If you have any questions regarding this product enhancement, please contact the UpRight Service Department at (800) 926-5438, in the USA; (209) 896-5150, outside the USA; or by FAX at (209) 896-9244