

# SERVICE BULLETIN

**Machines/Models:** MX Series  
Work Platforms

**Serial Nos.:** 1028-1035

**SERVICE BULLETIN: 94.4, THE INSTALLATION OF THIS KIT IS MANDATORY!**

**DATE:** March 10, 1994

**PURPOSE:** Notification of requirement to replace Brake Cylinder Rod Mounting Pin with a Shoulder Bolt and instructions for replacement.

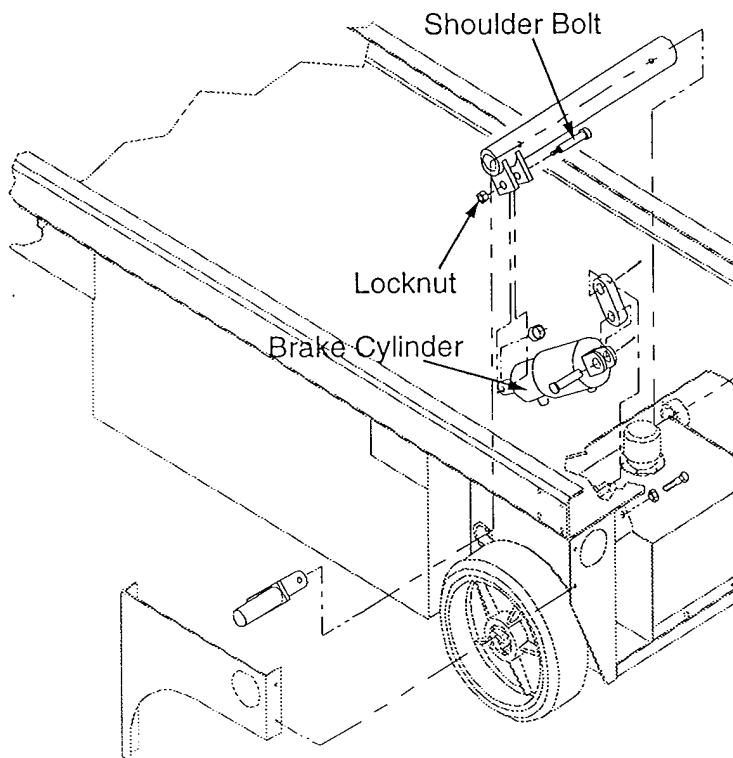
**OPERATION REQUIRED:** Installation of Shoulder Bolt and Locknut.

**PARTS REQUIRED:** 63559-006, Shoulder Bolt; 11246-005, Locknut.

**REIMBURSEMENT:** Installation will take less than one-half hour. UpRight will reimburse you for up to one-half hour of installation time at your shop rate. UpRight will also reimburse the owner of each unit for reasonable travel time at the rate of USD \$25.00 per hour. Reimbursement will be made upon receipt by UpRight of a properly completed warranty claim.

**PROCEDURE:**

1. Remove existing Cotter Pin and Pin and discard.
2. Install Shoulder Bolt and Locknut as shown.
3. Torque to 190 In/Lbs.
4. Check Brakes for proper operation.



If you have any questions regarding this Service Bulletin, please contact the UpRight Product Support Department at (800) 926-5438, in the USA; (209) 896-5150, outside the USA; or by FAX at (209) 896-9244