

## SERVICE BULLETIN

SB97.11

**Machines/Models:AB46  
Diesel 2 wd**

003,1023-1027,1034,1035,1038-1041,1046,1047,1067,1072,1073,  
1079-1090,1094,1095,1100-1102,1116,1117,1119-1122,1142,1143,  
1152,1154,1155,1162,1163,1166-1168,1212,1213,1228-1230,1236

**THIS BULLETIN IS MANDATORY.**

**DATE:** October 24, 1997

**PURPOSE:** Install exhaust support bracket.

**OPERATION REQUIRED:** Install exhaust manifold support bracket, as instructed below. This operation is to be completed at the next regular service interval.

**PARTS REQUIRED: Kit # 030863-000 includes the following parts:**

1 ea. manifold support bracket (069203-000)	2 ea. muffler gasket (063936-024)
2 ea. bushing 3/4 O.D. x .188 (018084-003)	2 ea. washer, flat 5/16 (011240-005)
6 ea. screw 8mm 1 1/4 x 30mm (063961-030)	2 ea. washer, flat 3/8 (011240-006)
2 ea. screw 10mm 1 1/2 x 45mm (063946-045)	

**REIMBURSEMENT:** UpRight will reimburse the owner of record for 1 hour of labor at \$30.00 per hour. Reimbursement will be made upon receipt by UpRight of your completed warranty claim form.

**PROCEDURE:** Read all instructions thoroughly and refer to Figure 1 before starting.

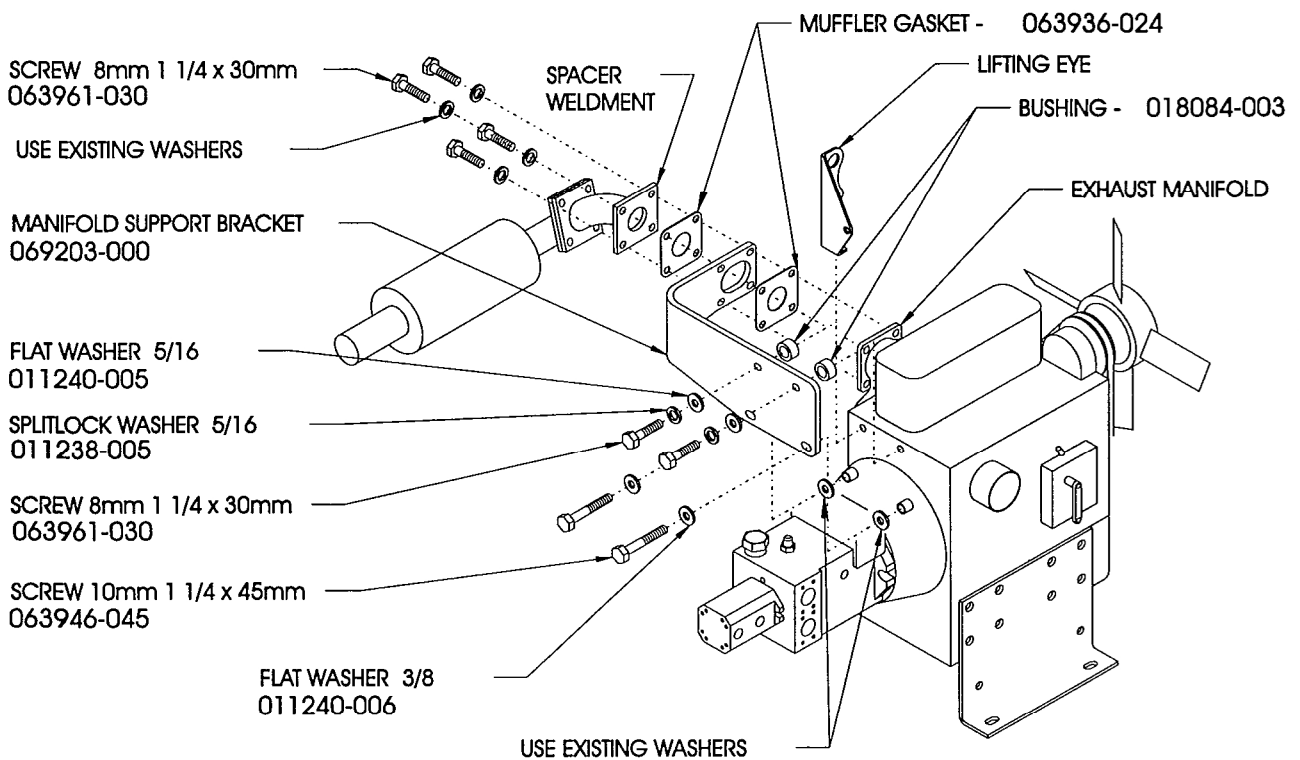
1. Remove the four screws and washers attaching the spacer weldment to the exhaust manifold. (Discard 4 screws and retain washers)
2. Remove lifting eye bolt and lifting eye. (Retain for future use)
3. Remove top 2 bellhousing screws. (Discard screws and retain washers)
4. Place manifold support bracket (069203-000) in position with exhaust manifold and place one gasket (063936-024) on each side of manifold support bracket. Install 4 screws (063961-030) and existing washers through the spacer weldment and manifold support bracket, thread screws into exhaust manifold. Do not tighten attaching screws.
5. Install 2 screws (063946-045) and 2 washers (011240-006) through the manifold support bracket lower holes. Install the 2 existing washers between the manifold support bracket and the upper bellhousing mounting holes. (See Illustration for the position of washers) Do not tighten attaching screws.
6. Position 2 bushings (018084-003) between the manifold support bracket and engine cylinder head. Install 2 screws (063961-030) and 2 washers (011238-005) through manifold support bracket and bushings; thread screws into engine cylinder head. (See illustration for position of screws, washers and bushings) Do not tighten attaching screws.
7. Torque the 4 screws (063961-030) that attach the spacer weldment to the exhaust manifold to 125 in/lbs.
8. Torque remaining manifold support bracket screws to 125 in/lbs.

If you have any questions regarding this Service Bulletin, please contact the UpRight Product Support Department by telephone at (800) 926-5438 from within the USA or at (209) 891-5200 outside the USA or by FAX at (209) 896-9244.

# SERVICE BULLETIN

SB97.11

Machines/Models: AB46  
Diesel 2 wd



If you have any questions regarding this Service Bulletin, please contact the UpRight Product Support Department by telephone at (800) 926-5438 from within the USA or at (209) 891-5200 outside the USA or by FAX at (209) 896-9244.