

SERVICE BULLETIN

SB97.6

Outrigger Component Replacement
Machines/Models: LX - Domestic

Serial Nos.: 1000-1544
(With optional outrigger cylinder kit)

THIS BULLETIN IS MANDATORY.

DATE: July 30, 1997

PURPOSE: Replace the existing outrigger cylinder pads and retaining bolts.

OPERATION REQUIRED: Replacement of all outrigger cylinder pads and retaining bolts per instructions below. This operation is to be completed at the next regular service interval.

PARTS REQUIRED:

Domestic Models: 4 ea. 67840-011 Pad, 6° with retaining bolt.

REIMBURSEMENT: Outrigger cylinder pad and retaining bolt replacement will take approximately one hour. UpRight will reimburse the owner of record for one hour of labor at \$30.00 per hour. Reimbursement will be made upon receipt by UpRight of your completed warranty claim form.

PROCEDURE: Read all instructions thoroughly and refer to figure 1 before starting. The procedure written below are the steps to replace one outrigger cylinder pad and retaining bolt. Repeat this procedure for each of the other three outrigger cylinder pads and retaining bolts.

1. Ensure that the outrigger is completely retracted before installation of new cylinder pad and retaining bolt.
2. Remove existing cylinder pad and retaining bolt and discard.
3. Apply medium strength thread lock to retaining bolt. Install outrigger cylinder pad and retaining bolt to outrigger cylinder. (Figure 1)
4. Using a 1 1/2" spanner wrench, torque retaining bolt to 20 ft. lbs.

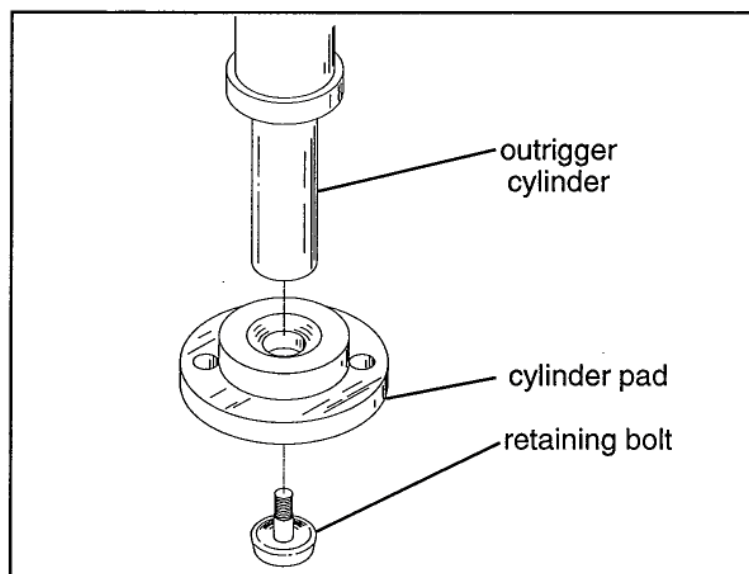


Figure 1

If you have any questions regarding this Service Bulletin, please contact the UpRight Product Support Department by telephone at (800) 926-5438 from within the USA or at (209) 891-5200 outside the USA or by FAX at (209) 896-9244.