

# SERVICE BULLETIN SB98.17

**Machines/Models: SL20****Serial Numbers: 8000-8574**

THIS BULLETIN IS A SERVICE ADVISORY TO BE CARRIED OUT AT THE NEXT SERVICE INTERVAL.

**DATE:** October 5, 1998

**PURPOSE:** Improve the Roll-out Deck operation.

**OPERATION REQUIRED:** Install slide pads on left and right side of main deck.

**PARTS REQUIRED:** Kit # 030913-000 includes the following parts:

1. 4 ea. #011248-003 10/24 Nut
2. 4 ea. #011240-004 1/4 Flat Washer
3. 4 ea. #011709-012 10/24 X 1 1/2 Screws
4. 4 ea. #066176-000 Slide Pads

**REIMBURSEMENT:** UpRight will reimburse the owner of record for 1 hour of labor at \$35.00 per hour. Reimbursement will be made upon receipt by UpRight of your completed warranty claim form. Please reference SB98.17 on your warranty claim form.

**PROCEDURE:** Read all instructions thoroughly and refer to figures 1 through 3 before starting. Platform must be in stowed position on a firm level surface.

1. Disconnect the negative lead to the battery.
2. Remove the left and right hold down tabs that retain the slide out deck. Do not discard hardware. (See figure 1)
3. Using a block of wood or equivalent capable of supporting the slide out deck, lift and support the slide out deck, thus gaining access to the plywood support. (See figure 2)
4. Using the Slide Pad (#0066176-000) as a template, mark and drill using a 3/16" drill bit. (See figure 3)
5. Attach and secure the Slide Pads with the Kit supplied hardware.
6. Remove the block of wood or equivalent and lower the deck into its original position.
7. Reinstall the hold down tabs and secure with the original attaching hardware.
8. Perform a functional check of the slide out deck to assure smooth movement and proper security.

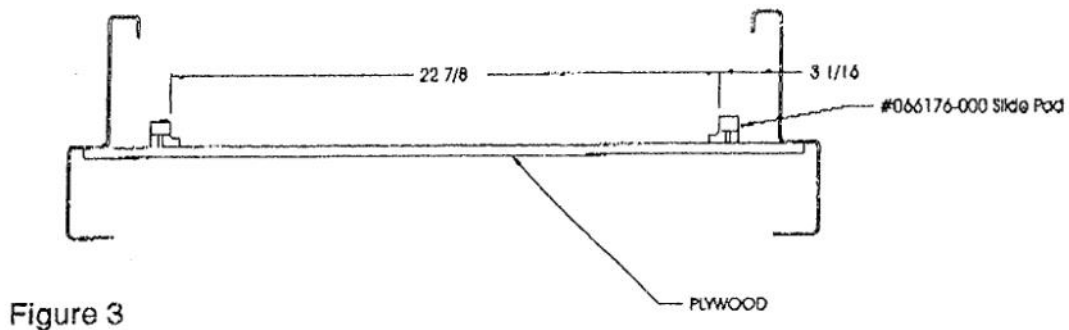
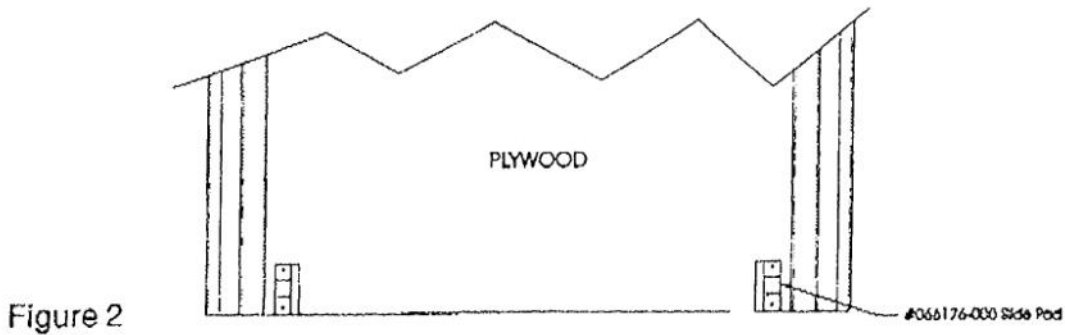
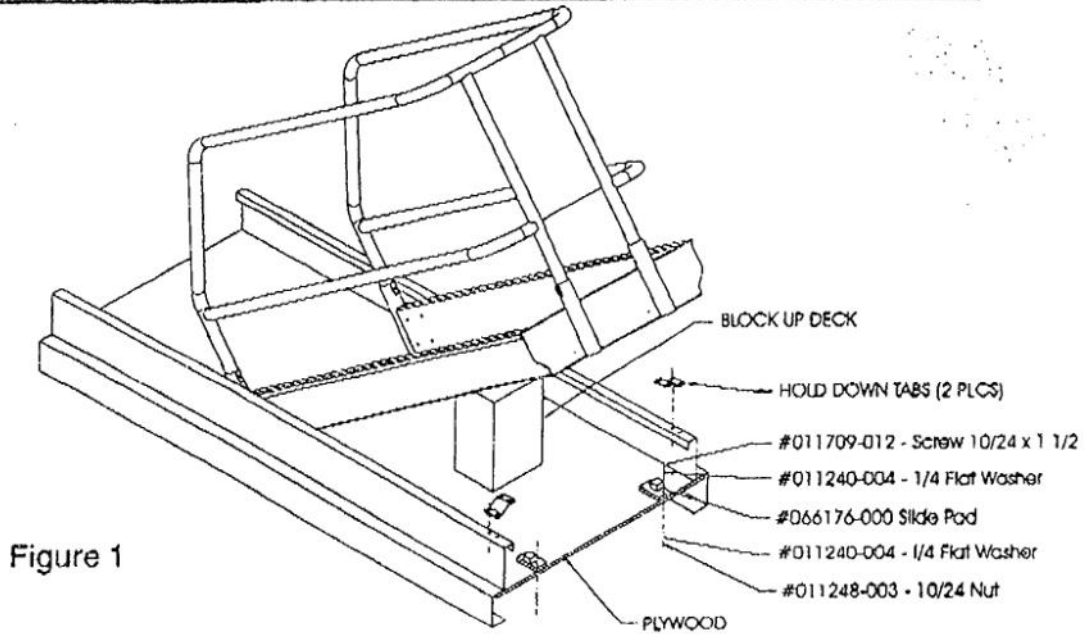
Continued on Page 2.

If you have any questions regarding this Service Bulletin, please contact the UpRight Product Support Department by telephone at (800) 926-5438 from within the USA or at (209) 891-5200 outside the USA or by FAX at (209) 896-9244.

# SERVICE BULLETIN SB98.17

Machines/Models: SL20

Serial Numbers: 8000-8574



If you have any questions regarding this Service Bulletin, please contact the UpRight Product Support Department by telephone at (800) 926-5438 from within the USA or at (209) 891-5200 outside the USA or by FAX at (209) 896-9244.