

# SERVICE BULLETIN SB99.15C

**Machines/Models: SB80**

**Serial Numbers: 1300-1374**

THIS BULLETIN IS A SERVICE ADVISORY TO BE CARRIED OUT AT THE NEXT SERVICE INTERVAL.

**DATE:** November 15, 1999

**PURPOSE:** Increase performance of the boom extend/retract function.

**OPERATION REQUIRED:** Upgrade valves and wiring.

**PARTS REQUIRED:** Kit SB99.15C includes the following:

1. 1 ea. #102272-037 4 Way 3 Position Valve
2. 1 ea. #102272-038 2 Way 2 Position Valve
3. 1 ea. #102272-032 12V 28W Coil Cap012se
4. 2 ea. ~~#067626-004~~ Counterbalance Valve *102253-014*
5. 1 ea. #068762-000 Male Pin
6. 1 ea. #068762-001 Female Pin
7. 3 ea. #029931-003 Push Connectors
8. 1 ft. #029452-099 Black Wire
9. 6 ft. #029475-099 Blue/Black Wire
10. 1 ea. #028800-006 16 AWG Removal Tool

**REIMBURSEMENT:** UpRight will reimburse the owner of record for 1 hour of labor at \$35.00 per hour. Reimbursement will be made upon receipt by UpRight of your completed warranty claim form. Please reference SB99.15C on your warranty claim form.

**PROCEDURES:** Read all instructions thoroughly and refer to Figure 1 - 4 before starting.

1. Replace the Boom Extend/Retract Valve with the supplied Valve (#102272-037). See Figure 1.
2. Replace the Boom Extend/Relief Valve with the supplied Two Position Valve (#102272-038). See Figure 1.
3. Using the supplied Black Wire (#029452-001), crimp Push Connector (#029931-003) to one end of Black Wire (#029452-001) and attach to the Two Position Valve (#102272-038) installed in step two.
4. Splice the other end of the Black Wire (#029452-001) in a "Y" fashion to the ground wire on the Extend/Retract Valve (#102272-037) replaced in step 1.
5. Crimp a Push Connector (#029931-003) to one end of the supplied Blue/Black Wire (#029475-099) and connect to the Two Position Valve (#102272-038) installed in step 2.
6. Run Blue/Black Wire (#029475-099) along existing bundle to Plug DP2.
7. Crimp a female Pin (#068762-001) to other end of Blue/Black Wire (#029475-099) and insert into Terminal D of Plug DP2.

Continued on Page 2

If you have any questions regarding this Service Bulletin, please contact the UpRight Product Support Department by telephone at (800) 926-5438 from within the USA or at (559) 891-5200 outside the USA or by FAX at (559) 896-9244.

# SERVICE BULLETIN SB99.15C

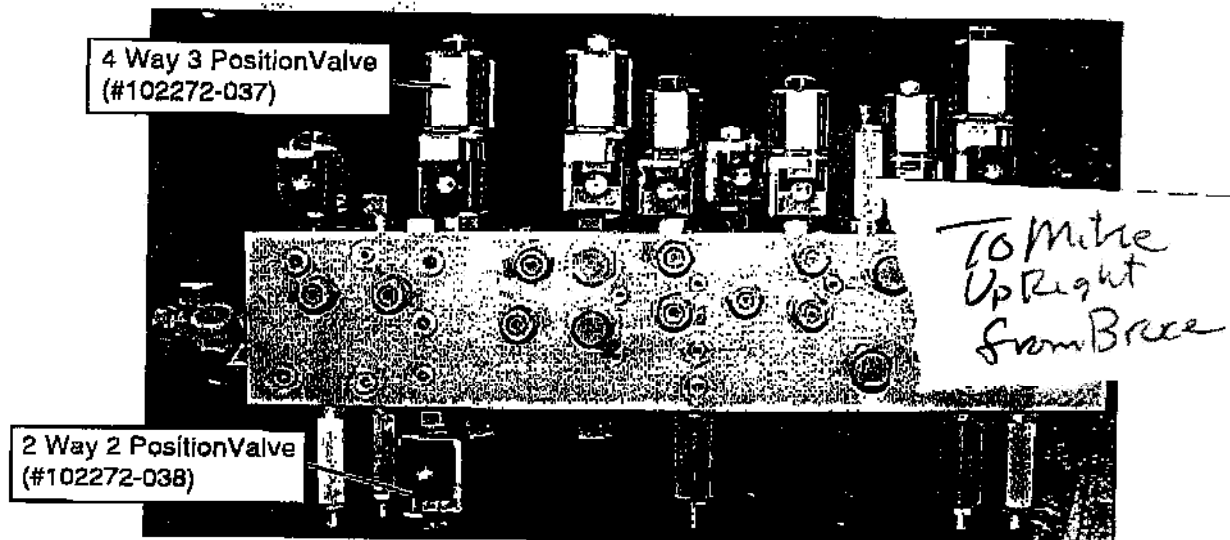
**Machines/Models: SB80**

**Serial Numbers: 1300-1374**

8. If required, perform step "a" below, at the Lower Control Box.
  - a) Reposition the yellow wire installed in Plug DP2 Terminal D, to Plug DP1 Terminal 1.
9. Crimp a Male Pin (#068762-000) to the supplied Blue/Black Wire (#029475-099) and install inside the Lower Control Box on Plug DP2.
10. Run the Blue/Black Wire (#029475-099) along existing wire bundle to Terminal Board TB2C and terminate.

**CAUTION: Before performing the following, make certain that the boom is completely down. All pressure must be relieved from the Lift and Extend/Retract Cylinder to avoid injury.**

11. Remove the cover from the rear of the boom gaining access to the Extend/Retract Cylinder rear counterbalance valve.
12. Remove the existing counterbalance valve from the Extend/Retract Cylinder and replace it with the supplied Counterbalance Valve (#067626-004).
13. Reinstall the rear boom access cover plate.
14. Extend Boom a short distance to reveal the access hole through the Tip Boom. Ensure all pressure is relieved from the Extend/Retract circuit.
15. Remove existing Counterbalance Valve and install new Counterbalance Valve (#067626-004).
16. Perform Pre-Operation and Safety Inspection as instructed in the Operator Manual, to ensure proper operation of machine and that there are no leaks.



**Figure 1: Valve Block**

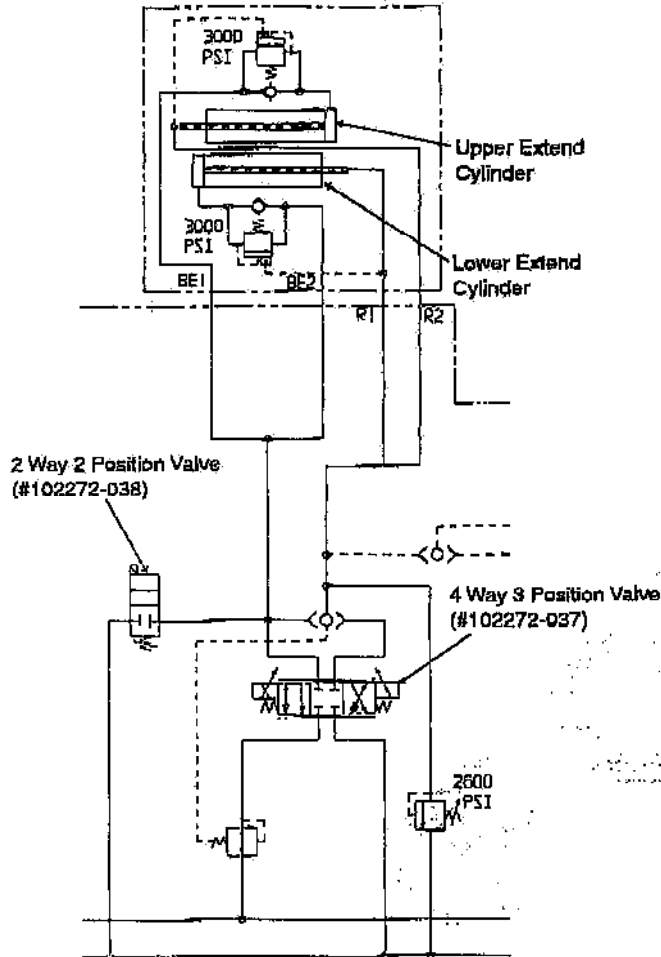
If you have any questions regarding this Service Bulletin, please contact the UpRight Product Support Department by telephone at (800) 926-5438 from within the USA or at (559) 891-5200 outside the USA or by FAX at (559) 896-9244.



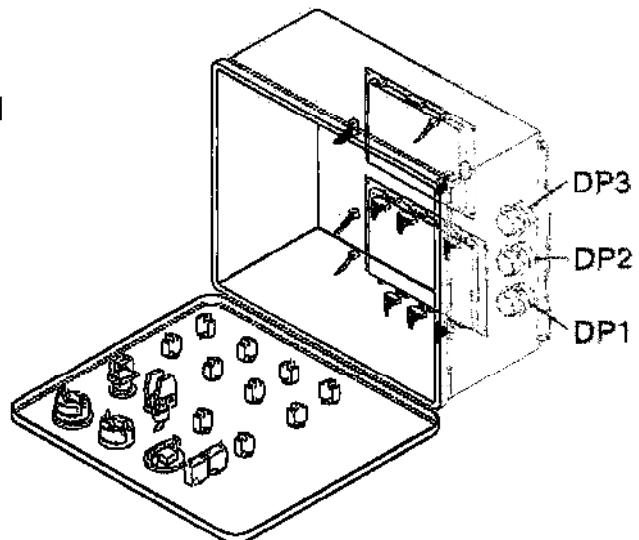
# SERVICE BULLETIN SB99.15C

Machines/Models: SB80

Serial Numbers: 1300-1374



**Figure 4: Hydraulic Schematic Detail**



**Figure 5: Lower Control Box**

If you have any questions regarding this Service Bulletin, please contact the UpRight Product Support Department by telephone at (800) 926-5438 from within the USA or at (559) 891-5200 outside the USA or by FAX at (559) 896-9244.



# SERVICE BULLETIN SB99.15C

## Machines/Models: SB80

## Serial Numbers: 1300-1374

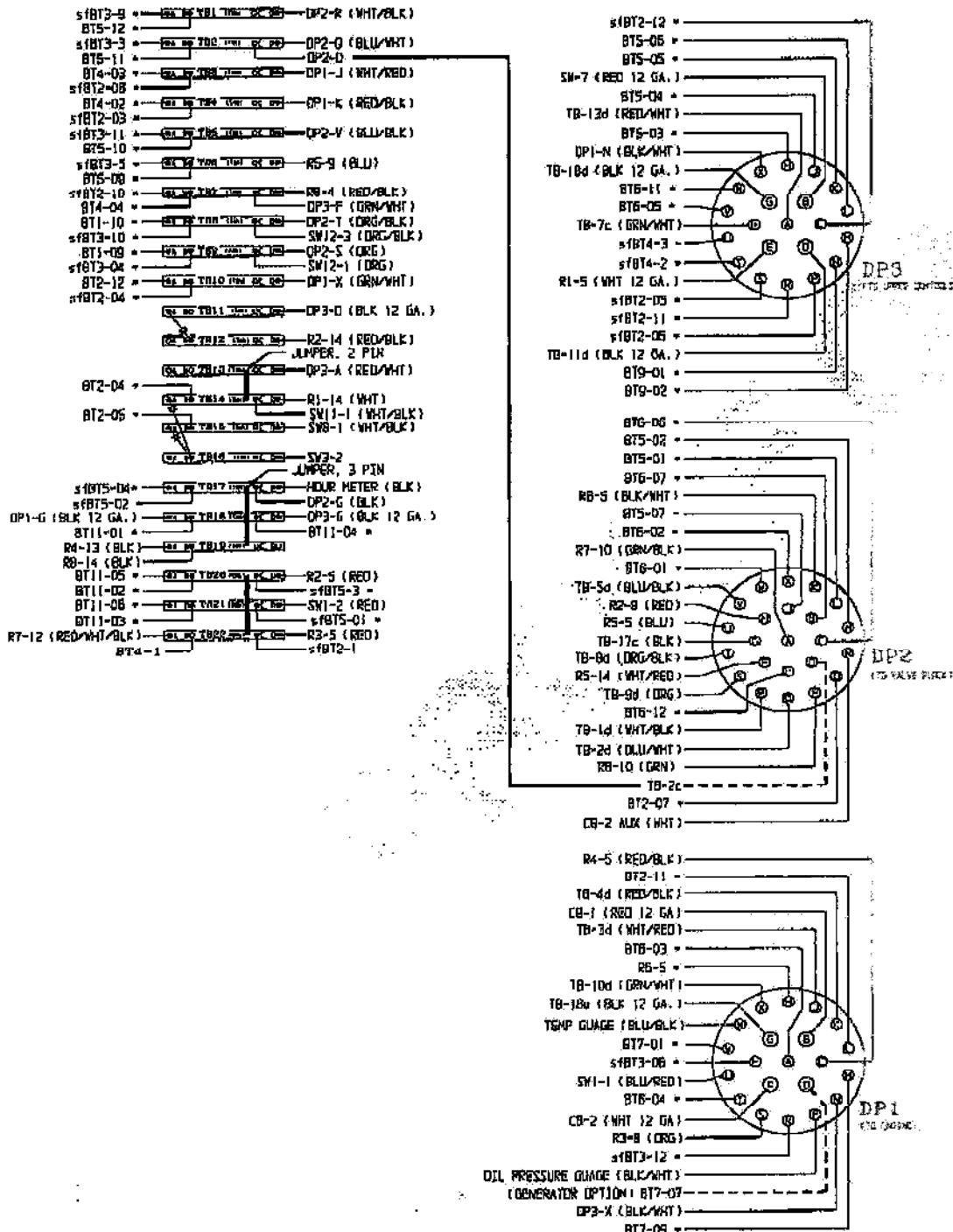


Figure 4: Lower Control Box Wiring Detail

If you have any questions regarding this Service Bulletin, please contact the UpRight Product Support Department by telephone at (800) 926-5438 from within the USA or at (559) 891-5200 outside the USA or by FAX at (559) 896-9244.